

# ROBERN MPIL3.5 & MTL3.5 INCANDESCENT MIRRORED SCONCE

## GENERAL NOTES ( LIGHT REFERED TO AS "MIL3.5")

1. THE MIL3.5 LIGHT IS DESIGNED TO ATTACH TO THE ROBERN MP/MT OR FP/FT CABINET SERIES. REFER TO THE INSTRUCTIONS FOR THESE PRODUCTS SHIPPED WITH THE CABINET, FORM SS476, SS547 OR SS515.
2. IF YOU EXPERIENCE ANY PROBLEMS WITH YOUR LIGHT CONTACT YOUR DEALER OR ROBERN DIRECTLY.  
ROBERN, INC. • 7 WOOD AVENUE • BRISTOL, PA 19007 • 215.826.9800 • 800.877.2376 • FAX: 215.826.9633
3. THE MIL3.5 LIGHT FIXTURE WILL ACCEPT 25 WATT TO 60 WATT T-10 MEDIUM BASE BULBS. 4 PER KIT.
4. INSTALLATION IS A 2 STEP PROCESS. THE SUPPLY WIRING IS BROUGHT THROUGH THE BACK CHANNEL, THE BACK CHANNEL IS THEN MOUNTED AND THE FACE PLATE IS WIRED AND ATTACHED TO THE CHANNEL.
5. THIS FIXTURE CAN BE USED WITH A DIMMER SWITCH.
6. THIS FIXTURE ADDS 3 1/2" (7" PER PAIR) TO THE OVERALL WIDTH OF AN INSTALLATION. REFER TO THE DIMENSIONAL INFORMATION BELOW TO CALCULATE OVERALL SIZES AND WALL OPENINGS FOR RECESSED COMBINATIONS.
7. MIL3.5 IS UL OR CUL LISTED FOR DAMP LOCATIONS

IF YOU SHOULD HAVE ANY PROBLEMS, PLEASE CONTACT YOUR ROBERN DEALER. FOR OTHER QUESTIONS RELATING TO YOUR INSTALLATION CONTACT THE FACTORY AT:

ROBERN, INC.  
701 N WILSON AVE  
BRISTOL, PA 19007

215 826.9800  
800 877.2376  
FAX 215 826.9633

## DIMENSIONS AND ROUGH OPENINGS

1. EACH FIXTURE ADDS 3 1/2" TO THE WIDTH OF A GANGED INSTALLATION. A PAIR OF FIXTURES ADDS 7". FOR EXAMPLE, WHEN A PAIR OF FIXTURES IS INSTALLED ON EITHER SIDE OF AN MT2430 THE OVERALL DIMENSION IS AS FOLLOWS:

MT2430 = 23 1/4" WIDE  
MTL3.5 = 7" WIDE (PER PAIR)

TOTAL = 30 1/4" WIDE SEE FIG. A.

ROUGH OPENINGS ARE 3/4" LESS THAN OVERALL WIDTH AND HEIGHT. PROVIDE 12" OF WIRE LEAD AT FIXTURE LOCATION.

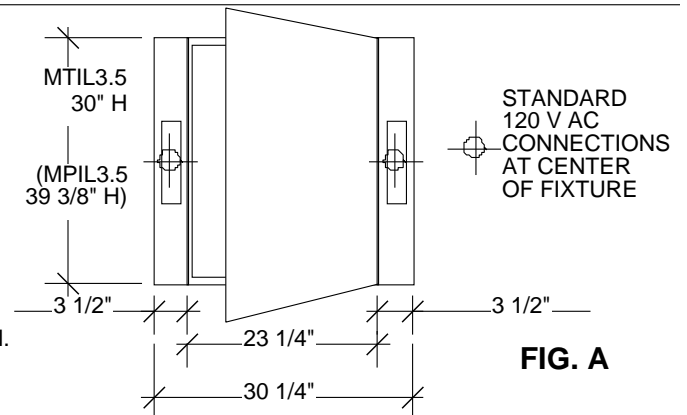


FIG. A

## ELECTRICAL SUPPLY HOOK UP (FIG. B.)

MIL3.5 • USE A 120VAC 15A CIRCUIT - UP TO 4 FIXTURES PER CIRCUIT.

EXAMPLE SHOWN:  
TWO CABINET WITH ONE FIXTURE PAIR.

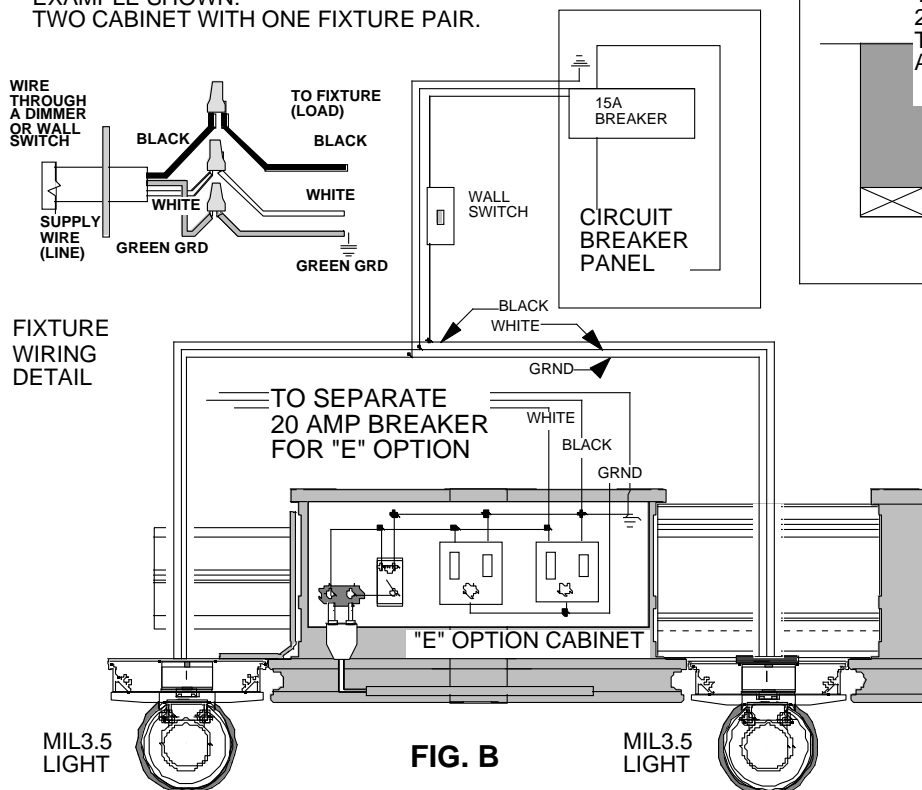
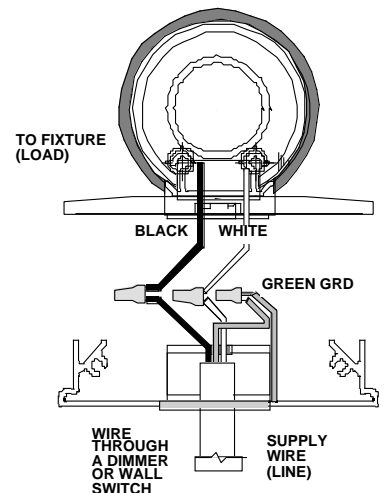
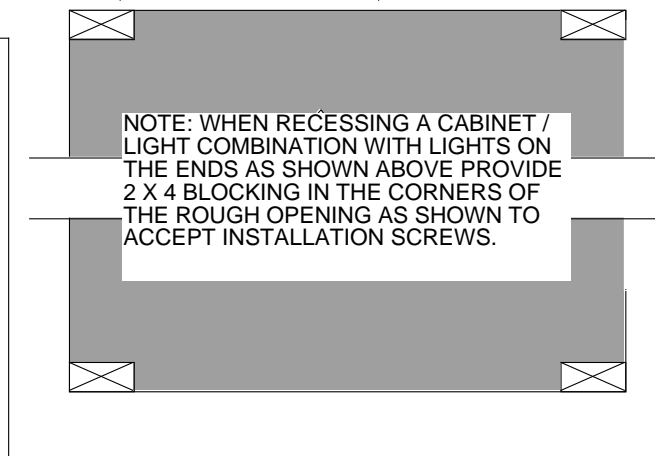
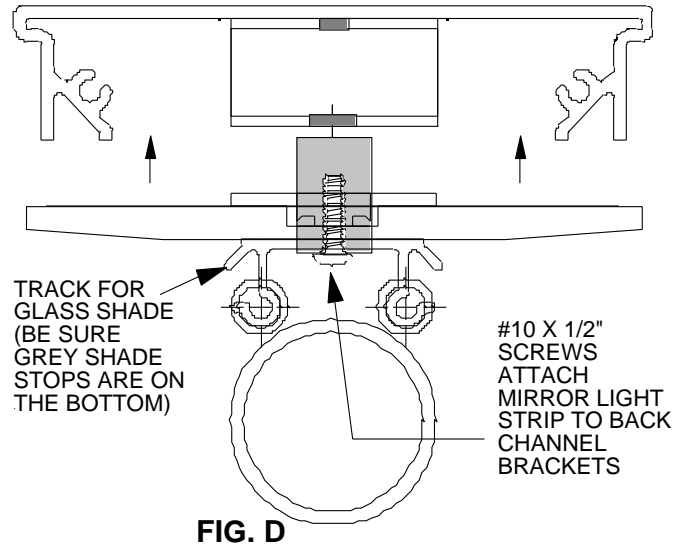


FIG. B

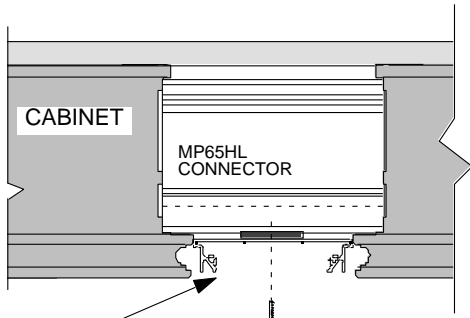


# INSTALLING THE MIL3.5 LIGHT

1. OPEN LIGHT FIXTURE BY REMOVING THE TWO SCREWS ABOVE AND BELOW THE LAMPHOLDER.
2. USING A SUITABLE WIRE CLAMP ON THE LIGHT CHANNEL, PULL SUPPLY WIRE IN AS SHOWN IN FIG. B.
3. SCREW THE BACK CHANNEL TO THE CONNECTOR AS SHOWN IN FIG. C.
3. WIRE THE MIRROR FACE PLATE TO THE SUPPLY AS SHOWN IN FIG. B THEN WITH THE TWO #10 X 1/2" SCREWS AS SHOWN IN FIG. D., ATTACH WIRED FACE PLATE TO CHANNEL.
4. INSTALL THE BULBS.
5. INSTALL THE FIRST GLASS TUBE FROM THE TOP. THEN INSTALL THE CHROME REFLECTORS AS SHOWN, THEN THE LAST GLASS TUBE. SEE FIG. E



## MIL3.5 LIGHT BETWEEN CABINETS.



- MIL3.5 LIGHT
- BACK CHANNEL
- #10 X 5/8" SCREW (2)
- MIRRORED FACE PLATE

FIG. C

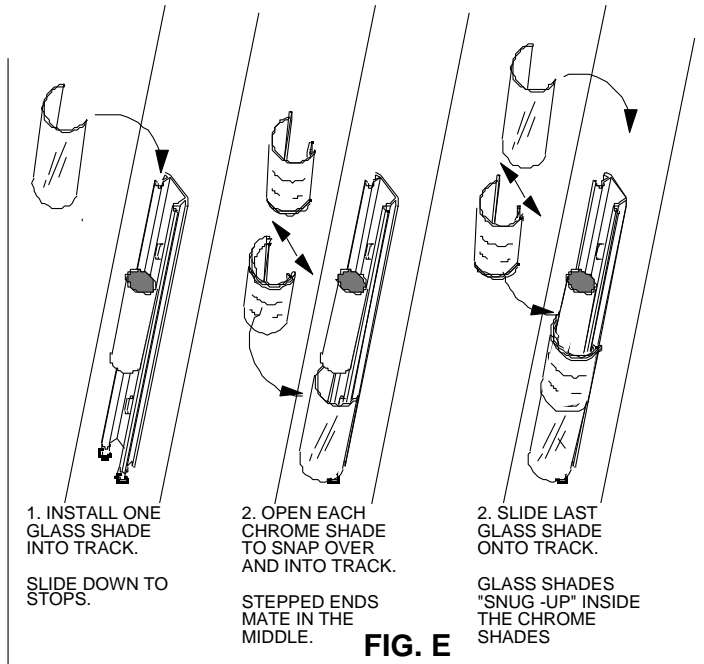
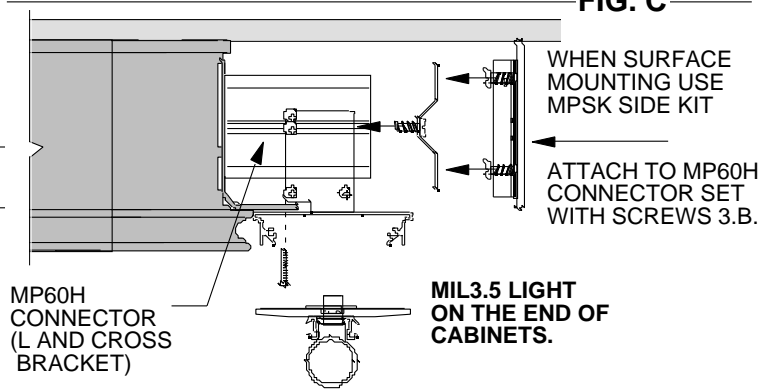


FIG. E

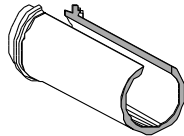
## PARTS LIST FOR MIL3.5 LIGHT (SHIPPED TWO PER CARTON)

1. TWO MPIL3.5B\*, MPIL3.5P\*, MTL3.5B OR MTL3.5P LIGHTS PLEASE NOTE: (NO BULBS ARE SHIPPED WITH UNIT) \* B= BEVELED MIRROR / P= PLAIN EDGE MIRROR

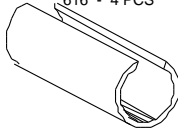
- 2B. 4 MP60H (3 PARTS EA.) END CABINET WITH LIGHT

2. GLASS AND CHROME SHADES PACKED SEPARATELY

CHROME SHADE  
736 - 4 PCS

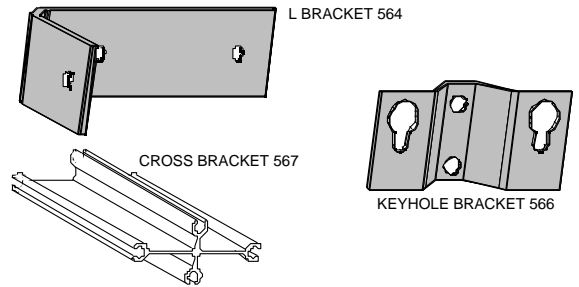
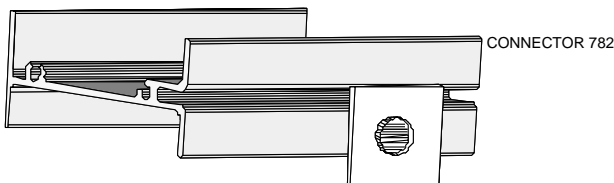


GLASS SHADE  
616 - 4 PCS



### CONNECTORS & SCREWS

- 2A. 4 MP65HL CABINET TO CABINET WITH LIGHT BETWEEN (CORK FACED).



- 3A. 4 THREAD CUT SCREWS #10-32 X 5/8"

- 3B. 16 CONNECTOR BLOCK SCREWS #10 X 1/2"