

PRODUCT SPECIFICATIONS CDVR33 and CDVT33 Direct Vent Systems



GLASS VIEWING AREA

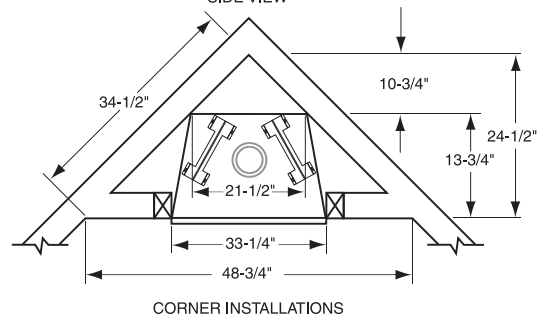
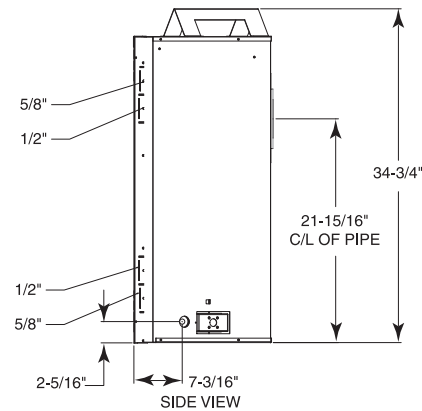
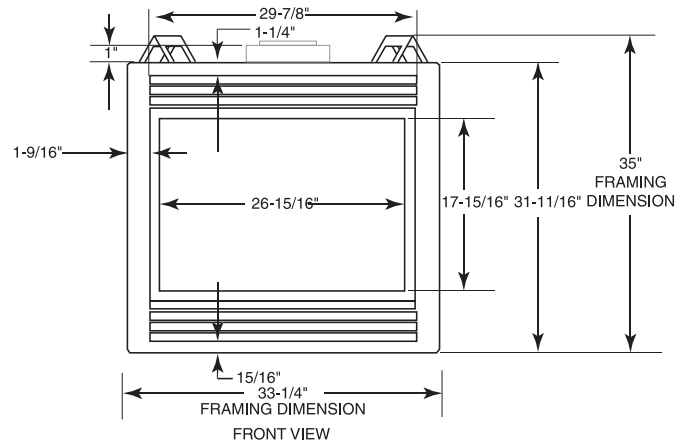
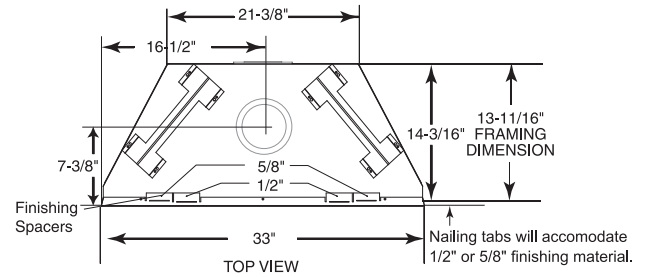
26 15/16" W x 17 15/16" H (484 Square Inches)

TECHNICAL INFORMATION

Max. Btu Input: 18,000 BTU/HR
 Ignition System: Standing Pilot or Electronic
 Gas Type: Natural or LP
 Flue Type: Simpson Dura-Vent, Selkirk Metalbestos, MetalFab
 Termination: Rear or Top Vent
 Clearance to Flue for Interior: 3" Top 1" Bottom and Sides
 Clearance to Flue for Outside Wall: 1"
 Clearance to Fireplace: Zero Clearance
 CSA Design Certified

FIELD INSTALLED ACCESSORIES

Louvers: Polished Brass, Pewter
 Curved Trim: Brass, Pewter, Black
 Medium Trim Kit: Brass, Pewter, Black
 Variable Thermostat Controlled Forced Air Blower (135 cfm) – BLOT
 Tavern Brown firebrick (FBCD33TB)
 Natural Gas Conversion Kit (CDV33CKN)
 LP Gas Conversion Kit (CDV33CKP)
 Ambient Technologies™ Remote Controls and Thermostats
 Wood Cabinet Surrounds
 Designer Facings
 Current 300DVB trim and facing accessories will fit this unit.



A Brand of Monessen Hearth Systems Co.
 149 Cleveland Drive, Paris, Kentucky 40361
www.majesticproducts.com



To avoid personal injury or property damage, the product described by this brochure must be installed, operated and maintained in strict compliance with the instructions packaged with the product and all applicable building or fire codes. Contact local building or fire officials about restrictions and installation inspection requirements. All photographs and drawings on this brochure are for illustrative purposes only and are not intended for, nor should they be used as a substitute for the instructions packaged with the unit. Appearance and specifications of the product are subject to change without notice. 07/08