

**SHOWER FAUCET TRIM
K-T13134
ALSO K-T13135**

ADA

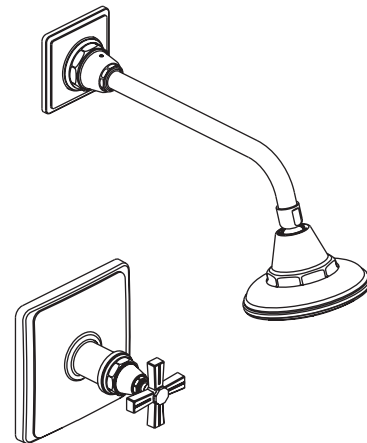
Features

- Metal construction
- Available with cross or lever handles
- For use with non-diverter valve
- Complements Pinstripe® Suite
- Requires a Rite-Temp® K-304-K, K-304-KS, or HiFlow Rite-Temp K-306-KS pressure-balancing valve

Codes/Standards Applicable

Specified model meets or exceeds the following:

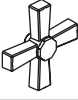
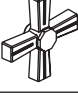


- ASME A112.18.1/CSA B125.1
- IAPMO/cUPC
- ADA



Colors/Finishes

- CP: Polished Chrome
- Other: Refer to Price Book for additional colors/finishes

Specified Model

Model	Description			
K-T13134-3A	Shower trim with plain cross handles	 ADA	<input type="checkbox"/> CP	<input type="checkbox"/> Other ____
K-T13135-3A	Valve trim with plain cross handles		<input type="checkbox"/> CP	<input type="checkbox"/> Other ____
K-T13134-3B	Shower trim with grooved cross handles	 ADA	<input type="checkbox"/> CP	<input type="checkbox"/> Other ____
KT-13135-3B	Valve trim with grooved cross handles		<input type="checkbox"/> CP	<input type="checkbox"/> Other ____
K-T13134-4A	Shower trim with plain lever handles	 ADA	<input type="checkbox"/> CP	<input type="checkbox"/> Other ____
K-T13135-4A	Valve trim with plain lever handles		<input type="checkbox"/> CP	<input type="checkbox"/> Other ____
K-T13134-4B	Shower trim with grooved lever handles	 ADA	<input type="checkbox"/> CP	<input type="checkbox"/> Other ____
KT-13135-4B	Valve trim with grooved lever handles		<input type="checkbox"/> CP	<input type="checkbox"/> Other ____
Requires a Rite-Temp® K-304-K, K-304-KS, or HiFlow Rite-Temp K-306-KS pressure-balancing valve.				

Product Specification

Shower faucet trim shall be of metal construction. Product shall be available with cross or lever handles. Shower trim is for use with a non-diverter valve. Shower trim shall require a Rite-Temp® K-304-K, K-304-KS, or HiFlow Rite-Temp K-306-KS pressure-balancing valve. Product shall complement the Pinstripe Suite. Faucet trim shall be K-____-____-____ and Rite-Temp pressure-balancing valve shall be K-____-____-NA.

PINSTRIBE™

Optional Accessories

73418

Deep rough-in kit

NA

Installation Notes



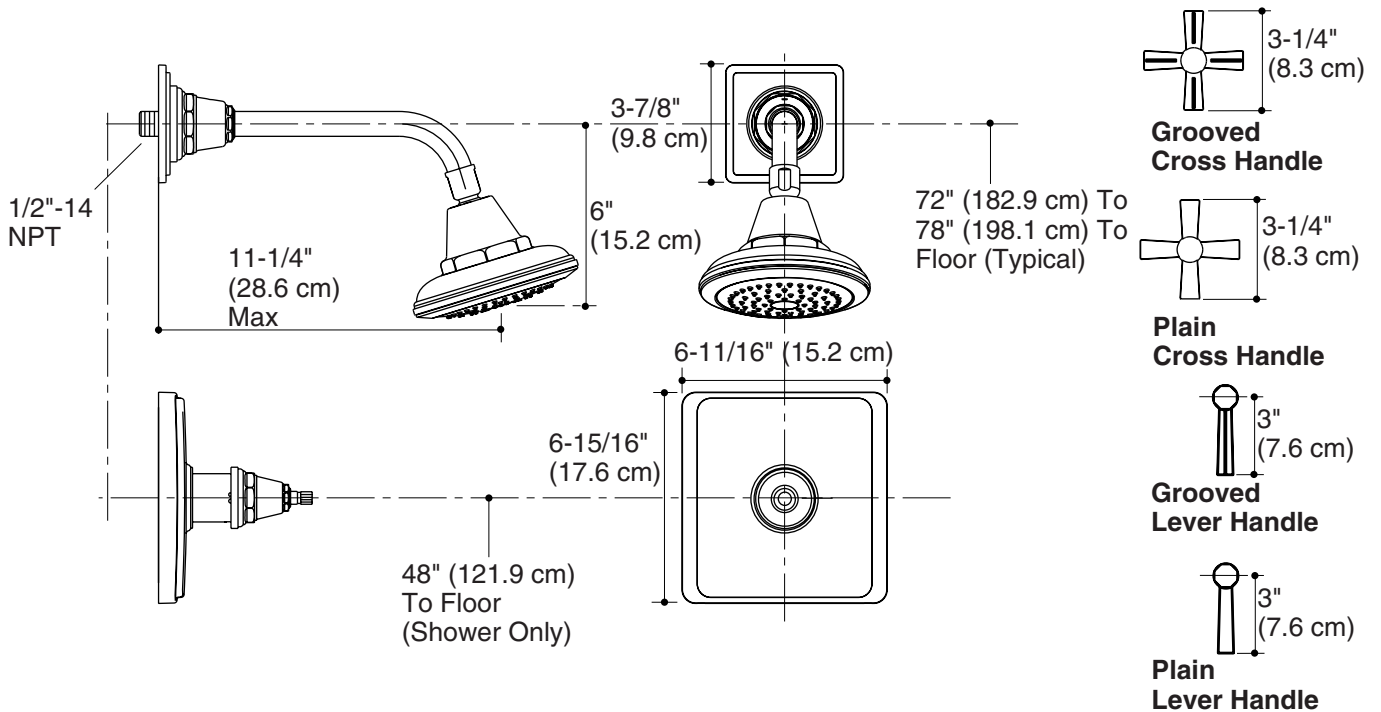
CAUTION: Risk of damage to the K-306-KS valve assembly. When using the K-306-KS valve in a fiberglass or acrylic installation, use the thin wall installation kit (88526).

Install this product according to the installation guide.

Avoid cross-flow conditions. Do not install shut-off device on either valve outlet.

Cap shower outlet if deck-mount spout, diverter, or handshower is connected to spout outlet.

Install straight pipe or tube drop of 7" (17.8 cm) to 18" (45.7 cm) with single elbow between valve and wall-mount spout.



Product Diagram