

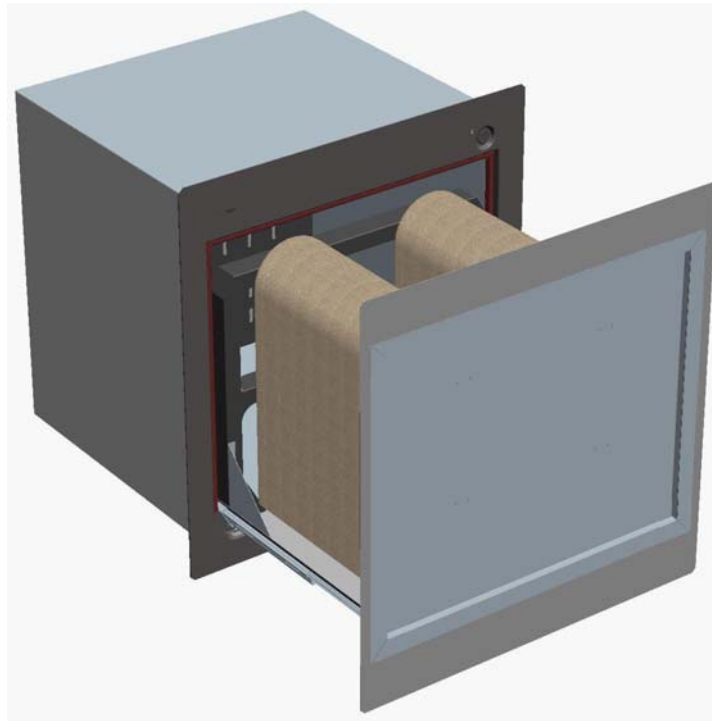


# HOME SPA TOWEL WARMING DRAWER

## INSTALLATION AND OPERATING INSTRUCTIONS

Model Number: \_\_\_\_\_

Date of Manufacture: \_\_\_\_\_



### Save These Instructions for Future Use.

**Installer:** Please leave these Installation Instructions with the owner.

**Owner:** Please keep these instructions for local electrical inspector's use and for future reference. Complete and mail-in the product registration card provided with your unit.

# IMPORTANT SAFETY INSTRUCTIONS

## READ AND FOLLOW ALL INSTRUCTIONS

### SAVE THESE INSTRUCTIONS

#### CONVENTIONS USED IN THESE INSTRUCTIONS

**WARNING** and Important Safety Instructions appearing in this guide are not meant to cover all possible conditions and situations that may occur. Common sense, **CAUTION**, and care must be exercised when installing, maintaining, or operating the appliance.

YOUR SAFETY AND THE SAFETY OF OTHERS ARE VERY IMPORTANT. WE HAVE PROVIDED MANY IMPORTANT SAFETY MESSAGES IN THIS MANUAL AND ON YOUR APPLIANCE. ALWAYS READ AND OBEY ALL SAFETY MESSAGES.

The following safety alert symbol and signal words are used throughout this manual to call attention to and identify different levels of hazard and special instructions.



This is the safety alert symbol.

This symbol alerts you to potential hazards that can kill or hurt you and others.

All safety messages will follow the safety alert symbol and the word "**DANGER**".

**DANGER** statements identify that an imminently hazardous situation exists that, if not avoided, will result in death or serious personal injury to personnel.

**WARNING** statements identify procedures or practices which must be followed to avoid serious personal injury or loss of life.


**CAUTION** statements identify procedures or practices which must be followed to avoid minor personal injury or damage to this equipment.

**NOTE** statements contain helpful hints and tips to facilitate the installation or operation.

**IMPORTANT** statements contain helpful hints and tips to facilitate the installation or operation.


#### INSTRUCTIONS PERTAINING TO A RISK OF FIRE, ELECTRIC SHOCK, OR INJURY TO PERSONS


**WARNING — WHEN USING THIS UNIT, BASIC PRECAUTIONS SHOULD ALWAYS BE FOLLOWED, INCLUDING THE FOLLOWING:**

 **DANGER** — Risk of electric shock. Connect only to a circuit protected by a ground fault circuit interrupter (GFCI).

**WARNING** — Install or locate this appliance only in accordance with these installation instructions.

**WARNING** — Use this appliance only for its intended use as described in this manual.

 **DANGER** — Do not use corrosive chemicals or vapors in this appliance. Do not use attachments not recommended by the manufacturer.

 **DANGER** — Do not store, place, or use flammable or explosive products or containers within 18" (457 mm) of towel warming unit or inside towel warming unit.

**WARNING** — Never drop or insert any object into any opening.

**WARNING** — This unit is approved for general residential use. It is not approved for outside installation or use.

**CAUTION** — Have a qualified technician observing all governing codes and ordinances install this unit.

**WARNING** — This appliance must be grounded. Connect only to a properly grounded GFCI outlet.

**WARNING** — To reduce the risk of electric shock and fire, do not replace the flexible power-supply cord attached to this appliance.

**CAUTION** — Sharp edges! To reduce the risk of injury handle this unit with safety gloves.

**NOTE: This is a professional grade product. A knowledge of construction techniques and electrical installation according to codes are required for proper installation and user satisfaction. We recommend that a licensed contractor perform the installation of all Jacuzzi Whirlpool Bath products. Proper installation is your responsibility. Our warranty does not cover improper installation related problems.**

## OPERATING INSTRUCTIONS

**WARNING — WHEN USING THIS UNIT, BASIC PRECAUTIONS SHOULD ALWAYS BE FOLLOWED, INCLUDING THE FOLLOWING:**

**WARNING** — Read all instructions before using the appliance.

**WARNING** — Have the installer show you the location of the circuit breaker or fuse. Mark it for easy reference.

**WARNING** — Never use this appliance to warm or heat a room.

**WARNING** — Do not allow children to operate this appliance. Do not leave children alone with or unattended with this appliance. Do not allow anyone to sit, stand, or climb on any part of this appliance.

**CAUTION** — It is recommended to NOT store items of interest to children above or near this appliance.

**WARNING** — Do not cover or block any openings on this appliance.

**WARNING** — Do not store or use this appliance outdoors. Do not use this product near water – for example, near a bathroom sink, tub or shower, etc.

**WARNING** — Do not immerse the electrical cord or plug in water.

**WARNING** — Do not operate this appliance if it has a damaged electrical cord or plug, if it is not working properly or if it has been damaged or dropped.

**WARNING** — Keep the electrical cord away from heated surfaces.

- Sealed containers such as closed glass jars may explode and should not be heated in this appliance.
- To reduce the risk of fire in the warming cavity: Do not overheat towels. Carefully attend the appliance while in use.
- If materials inside the drawer should ignite, keep the appliance drawer closed and shut OFF the power at the fuse or the circuit breaker panel. **Call the fire department.** Do not attempt to extinguish a fire by yourself.

**WARNING** — Do not use this appliance to dry damp or wet towels. Do not use this appliance to dry any other items.

**WARNING** — Only use a DRY hand towel to contact hot surfaces when necessary. A moist or damp cloth may cause burns from steam when placed in contact with hot surfaces.

**WARNING** — Use care when opening warming drawer. Interior surfaces are HOT!

**WARNING** — Do not use the towel warming drawer for a storage area. Items stored in the appliance can ignite.

The installer should leave these instructions with the consumer who should retain for local inspector's use and for future reference.

## INSTALLATION INSTRUCTIONS

**WARNING — WHEN USING THIS UNIT, BASIC PRECAUTIONS SHOULD ALWAYS BE FOLLOWED, INCLUDING THE FOLLOWING:**

**WARNING** — Do not remove permanently affixed labels, warnings, or plates from the product. This may void the warranty.

**WARNING** — This type of appliance is specifically designed to warm towels. It is not designed for industrial or laboratory use.

**WARNING** — This unit is approved for general indoor residential use. It is not approved for outside installation or use.

**WARNING** — This appliance should be serviced only by qualified service personnel. Contact the nearest Authorized Agent or go to [www.jacuzzi.com](http://www.jacuzzi.com) for examination, repair or adjustment. All service must be done by a qualified Service Technician.

**WARNING** — This unit is approved for general residential use. It is not approved for outside installation or use.

**CAUTION** — Test the ground fault circuit interrupter protecting this appliance periodically in accordance with manufacturer's instructions.

# CONTENTS

Safety Instructions _____	2-3
Contents _____	4
Unpacking _____	5
Specifications _____	6
Towel Warming Drawer Components _____	7
Electrical _____	8
Rough-in Reference _____	9
Installation _____	10
Drawer Finish Panel _____	10
Operation _____	11
Maintenance _____	11
Repair Parts _____	11
Troubleshooting _____	12
Warranty _____	13-14

## Save These Instructions for Future Use.

<b>Owner's Record</b>	
Date Purchased _____	_____
Purchased From _____	_____
Installed By _____	_____
Serial Number (see carton label) _____	_____
Model _____	_____

## Important! Read complete instructions before beginning installation.

Each unit arrives ready for installation.

**CAUTION** — Sharp edges! Use safety gloves when unpacking and installing the unit.

Remove the unit from the carton. Retain the shipping carton until satisfactory inspection of the product has been made.

### INSPECTION/RECEIVING

Immediately upon receipt, inspect the unit and other components before installing. Check all carton inserts for parts and hardware. Should inspection reveal any damage or defect in any component, **do not install the unit**. Damage or defect to any component claimed after the unit is installed is excluded from the warranty. Jacuzzi Whirlpool Bath's responsibility for shipping damage ceases upon delivery of the products in good order to the carrier. Refer any claims for damage to the carrier. For definitions of warranty coverage and limitations, refer to the published warranty information packed with the product.

Jacuzzi Whirlpool Bath is not responsible for any defect that could have been discovered, repaired, or avoided by following this inspection.

**NOTE: Observe all local electrical and building codes.**

These units were designed for installation in bath cabinets built to accommodate proper ventilation and clearances for safe use. Substituting components will affect performance of these units and may create an unsafe environment. Altering the recommended electrical service requirements will affect performance of these units and may create an unsafe environment.

### OPENING AND UNPACKING

- Place carton on a flat surface with the proper side up.
- Place plywood or some protective material(s) on floor adjacent to carton. This is to protect floor from scratches or damage from metal edges on unit.
- Open top of carton and carefully cut away the carton from the unit.
- Slide the warmer out of or off the carton.
- Remove the Styrofoam packing.
- Place the unit on top of the shipping carton to protect the drawer facing and the finished flooring.
- Remove all remaining packing materials and tape.
- Locate and set aside package containing 4 screws.

### PARTS PROVIDED:

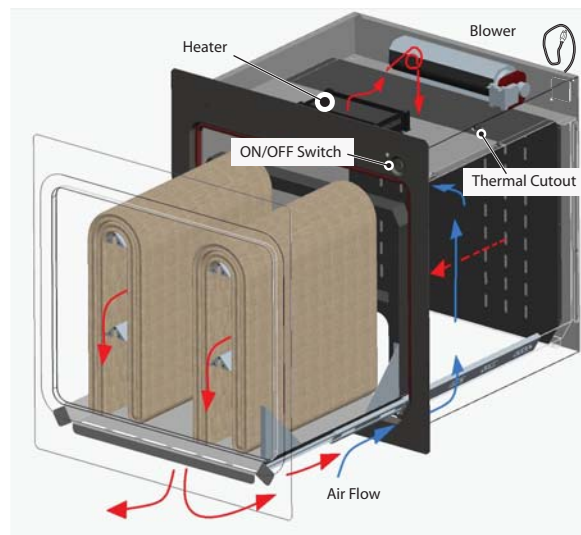
- 4 Screws

### TOOLS REQUIRED

- Safety Gloves and Safety Glasses
- Saw, Hand Saw, or Saber Saw
- Drill and various drill bits
- Screwdrivers: Phillips, Flat, and Torx
- Pencil, Ruler or Tape Measure, Level, and Straight-edge

### FUNCTION/FEATURES

- Slide out drawer
- ON/OFF switch
- Thermal High Temp cutout
- Dry heat
- Stainless Steel components
- Drawer close catch.



# SPECIFICATIONS

## SPECIFICATIONS

### 42" CABINET

#### PRODUCT DIMENSIONS

19-1/2" (495 mm) Deep  
 20-3/4" (527 mm) Width  
 39-1/2" (1003 mm) Height

#### CUTOUT DIMENSIONS

19-3/4" (502 mm) Deep  
 21" (533 mm) Width  
 39-3/4" (1010 mm) Height

#### ELECTRICAL SPECIFICATIONS

REQUIRED: 120 VAC, 15 AMP, 60 Hz dedicated GFCI protected separate circuit.

#### Power Cord:

Power cord is molded 3 prong plug, 56" long attached to upper right rear corner of box.

#### FACE PLATE DIMENSIONS

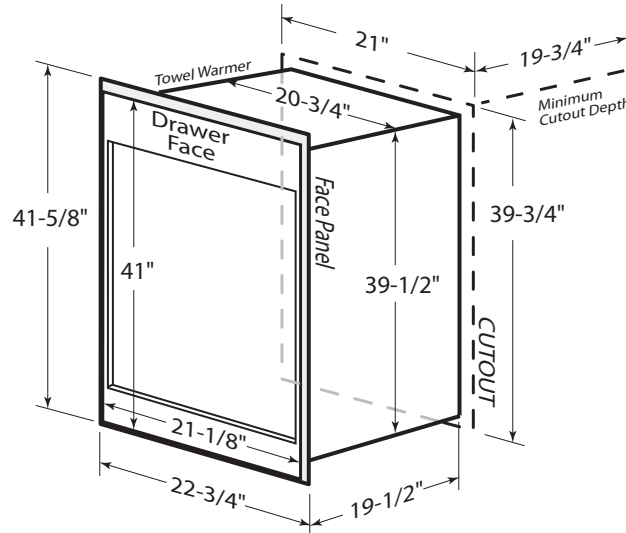
22-3/4" (578 mm) Width  
 41-1/2" (1054 mm) Height

#### DRAWER FACE DIMENSIONS

22-1/8" (562 mm) Width  
 41" (1041 mm) Height

#### DRAWER EXTENSION DIMENSION

16-3/4" (425 mm) Maximum



#### PRODUCT WEIGHT

85 lb  
 (38.6 kg)

#### FLOOR LOADING

30.4 lb/ft<sup>2</sup>  
 (148 kg/m<sup>2</sup>)

## SPECIFICATIONS

### 24" CABINET

#### PRODUCT DIMENSIONS

19-1/2" (495 mm) Deep  
 20-3/4" (527 mm) Width  
 21-1/2" (546 mm) Height

#### CUTOUT DIMENSIONS

19-3/4" (502 mm) Deep  
 21" (533 mm) Width  
 21-3/4" (553 mm) Height

#### ELECTRICAL SPECIFICATIONS

REQUIRED: 120 VAC, 15 AMP, 60 Hz dedicated GFCI protected separate circuit.

#### Power Cord:

Power cord is molded 3 prong plug, 56" long attached to upper right rear corner of box.

#### FACE PLATE DIMENSIONS

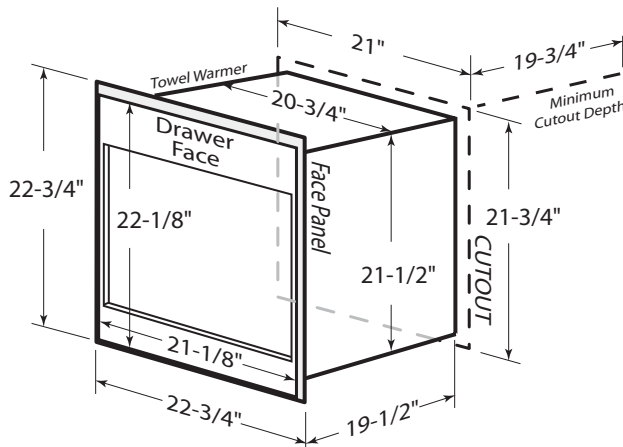
22-3/4" (578 mm) Width  
 23-5/8" (600 mm) Height

#### DRAWER FACE DIMENSIONS

22-1/8" (562 mm) Width  
 22-3/4" (578 mm) Height

#### DRAWER EXTENSION DIMENSION

16-3/4" (425 mm) Maximum



#### PRODUCT WEIGHT

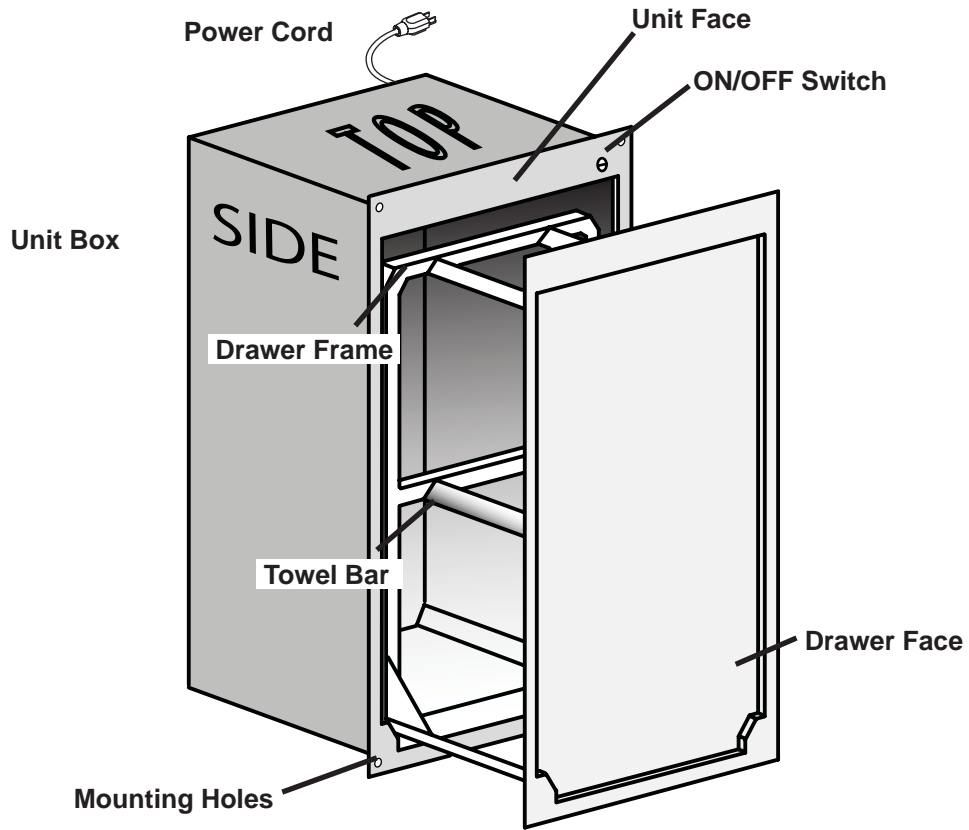
57 lb  
 (26 kg)

#### FLOOR LOADING

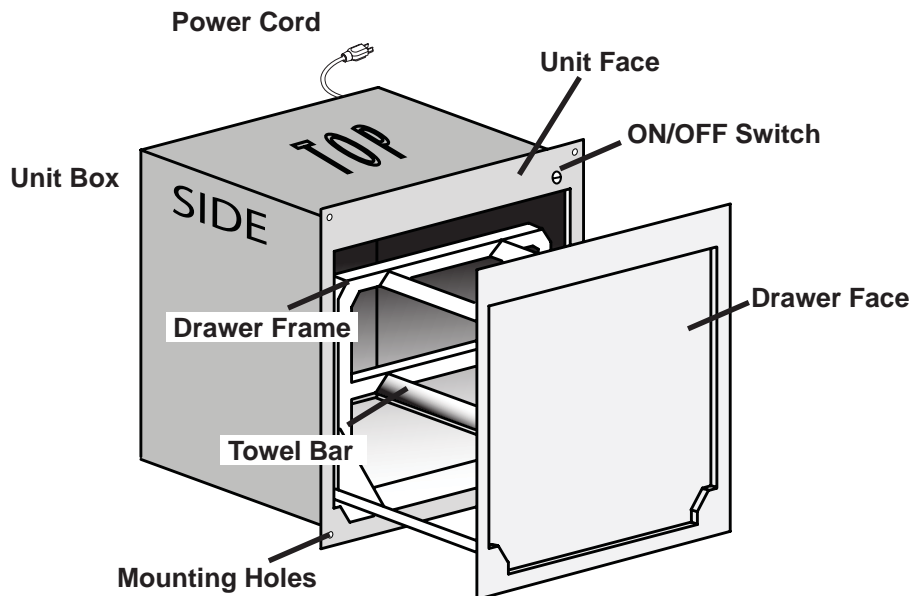
20.4 lb/ft<sup>2</sup>  
 (99 kg/m<sup>2</sup>)

# TOWEL WARMING DRAWER COMPONENTS

## 42" Home Spa Towel Warming Drawer



## 24" Home Spa Towel Warming Drawer



# ELECTRICAL

## ELECTRICAL ROUGH-IN

The outlet must be GFCI and recessed. Electrical supply outlet should be located in the rear wall on the upper right side of the towel warmer cutout. If code approved the supply outlet can be located in an adjacent cabinet.

- Within 42" of the right side or,
- Within 16" of the left side.

At NO time may the power supply cord be routed outside the cabinet (or wall) in which it is installed.

NOTE: If two towel warmers are installed, they **cannot** operate from the same receptacle.

## ELECTRICAL SPECIFICATIONS

Required: 120 VAC, 15 AMP, 60 Hz dedicated GFCI protected separate circuit.

The power cord of this appliance is equipped with a 3-prong (grounding) plug that mates with a standard 3-prong grounding GFCI wall receptacle to minimize the possibility of electric shock. The customer should have the wall receptacle and circuit checked by a qualified electrician to make sure the receptacle is properly grounded and has the correct polarity.

NOTE: Where a standard 2-prong wall receptacle is encountered, it is the personal responsibility and obligation of the customer to have it replaced with a properly grounded 3-prong wall GFCI receptacle.

Do not, under any circumstances, cut or remove the third (ground) prong from the power cord.

**DO NOT USE AN EXTENSION CORD.**

**DO NOT HARD WIRE.**

Check with local utilities for electrical codes that apply in your area. Local codes vary. Installation electrical connections and grounding must comply with applicable codes. Do not use an extension cord or adapter plug with this appliance. Follow National electrical codes or prevailing local codes and ordinances.

If the electrical service provided does not meet the product specification, or does not conform to the NEC or local standards, **do not proceed with the installation**. Call a licensed electrician to correct the electrical service before proceeding.

If the power supply requirements shown do not agree with those listed on the product data plate, provide a power source per the information found on the product data plate.

# ROUGH-IN REFERENCE - Cabinet

## Framing Requirements

The drawer may be installed into a wall or wall cabinet, a tall cabinet, or in a short cabinet below an approved counter top. Approved counter tops can be found by consulting the counter top manufacturer's guidelines.

In a short cabinet (with an approved counter top) 2 warming drawers may be installed side by side. (See electrical notes for side-by-side installation requirements.)

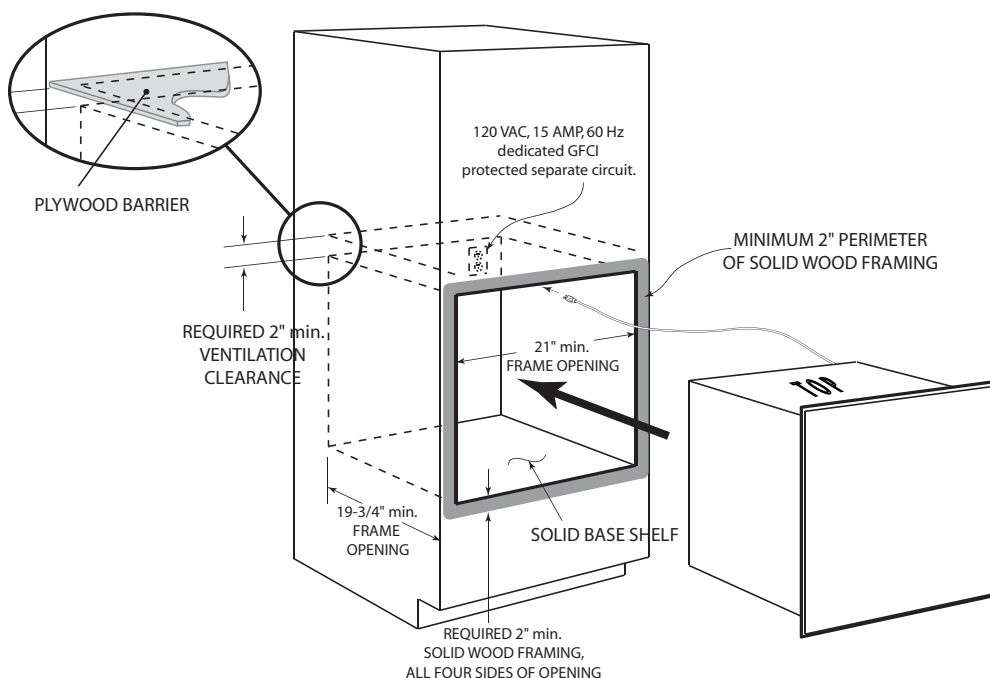
The warmer unit **must** be supported by a solid bottom shelf. The shelf support must be level and rigidly mounted, flush with the bottom edge of the cutout. The entire weight of the drawer is supported by the cabinet support which must be capable of supporting 150 lbs minimum.

**NOTE: Towel Warmer support surface MUST be solid, level and flush with bottom of cabinet cutout.**

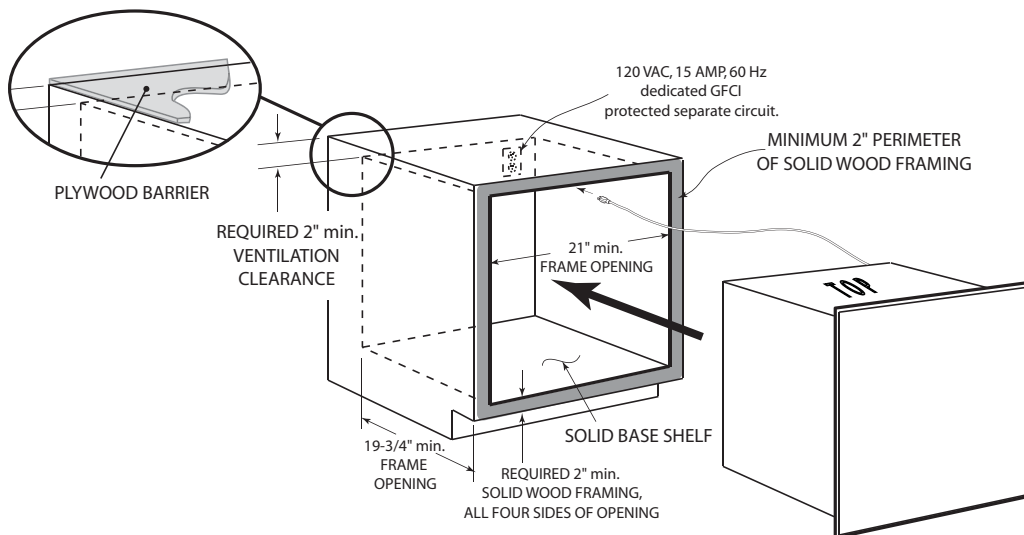
Allow 2" min. air clearance from the top of warming drawer to the bottom of counter top or (in a tall cabinet) the bottom of the cabinet framing above. Allow 2" min. air clearance on EACH side of and above the warming drawer. Agency testing has been done with each unit installed in the recommended cutout opening with the interior cabinet walls at these clearance dimensions. (In a side-by-side installation a min. of 4-1/2" is required BETWEEN the adjacent units.)

Cabinet opening (cutout) dimensions shown in SPECIFICATIONS must be used. Given dimensions provide minimum clearances. A 3/4" thick plywood panel must be installed above the 2" air space above the unit. Towel warmer face frame overlaps will conceal cutout edges on all sides of the cabinet opening. Recessed installation area must provide complete enclosure around the recessed portion of the unit.

## TALL CABINET ENCLOSURE SPECIFICATIONS FOR 42" OR 24" TOWER WARMING DRAWER



## SHORT CABINET ENCLOSURE SPECIFICATIONS FOR 24" TOWER WARMING DRAWER



# INSTALLATION

## OPTIONAL ANTI-TIP PRECAUTIONS

Failure to secure the chassis to the cabinet and support platform may cause the warming drawer to tilt and fall when the drawer is opened, possibly resulting in personal injury. Optionally, an anti-tip brace (not provided) can be installed to prevent the drawer from tipping forward when opened and loaded. Follow the installation instructions provided with the anti-tip brace.

**CAUTION** — Sharp edges! To reduce the risk of injury handle this unit with safety gloves.

**⚠ DANGER** — Risk of electric shock! Shut OFF power to GFCI outlet before beginning installation.

### STEP 1

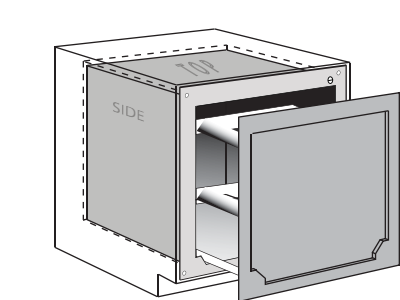
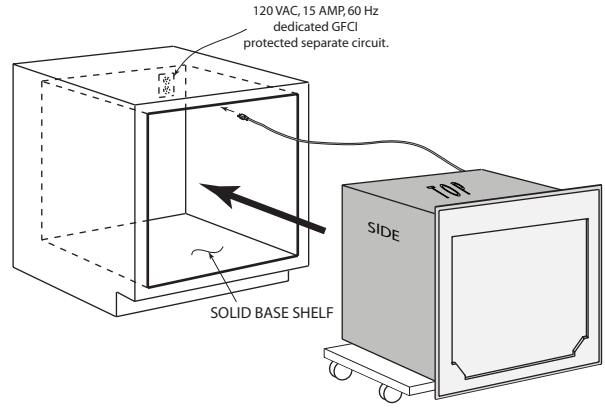
Position the towel warming drawer in front of the rough-in opening at the height necessary to slide the unit directly into the opening.

### STEP 2

Plug the power cord into the GFCI outlet. Position the excess cord length such that when the towel warming drawer is pushed into the opening the warming drawer does not pinch, kink, score, cut, or cut into the power supply cord.

### STEP 3

Carefully slide the warming drawer into the rough-in opening until the face plate is flush to the cabinet face. Check the face frame edges for level. Open the warming drawer and check for front-to-back level. If the unit is NOT level, remove unit, correct the rough-in opening and begin at STEP 1.



### STEP 4

Optionally you may choose to pre-drill the mounting screws at this time. Using the 4 screws (provided) fasten the towel warming drawer face frame to the cabinet. Be careful to not deform the screw heads. This may lead to burrs that may snag or damage towels. **Do not over tighten screws.**

### STEP 5

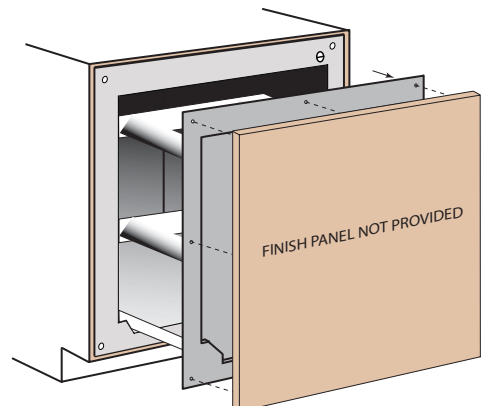
Check for smooth drawer movement opening and closing. Check that the drawer catch is functioning. Towel Warming Drawer installation is complete.

## DRAWER FINISH PANEL

**IMPORTANT!** Drawer finish panel and panel fastening hardware are NOT provided.

**CAUTION** — Sharp edges! To reduce the risk of injury handle this unit with safety gloves.

Mounting holes are provided in the drawer face panel to attach finish panel. Final height and width dimensions of the finish panel must be larger than height and width dimensions of the drawer face panel.



## OPERATION

Open drawer. Hang towels over the upper and or lower towel bars and press ON/OFF rocker switch to turn unit ON. Towel warming drawer will reach operational temperature in approximately 20 minutes depending on ambient room temperature. Once towels are removed press ON/OFF rocker switch to turn unit OFF.

Unit will operate for two hours before automatically shutting down. If the unit automatically shuts down, you will need to press the ON/OFF rocker switch to OFF and then again to turn unit ON.

## MAINTENANCE

**CAUTION** — Sharp edges! This unit may have sharp edges that could cause injury.

Allow to cool to room temperature before cleaning. Clean with a moist towel and mild soap. Do NOT spray liquids inside the warming unit.

## TROUBLESHOOTING

### **If towel warmer does not operate:**

- Check that the circuit breaker is not tripped or the house fuse blown.
- Check that the power supply cord is plugged into the outlet.

### **If you need service or assistance:**

If you have questions about operating, cleaning or maintaining your appliance:

- Call the Consumer Assistance Center at 1-800-288-4002

When you call, you will need:

- \_ The appliance Model Number.
- \_ The appliance Date of Manufacture.

Both numbers are listed on the front page of this manual.

---

**PRODUCT SPECIFICATIONS ARE SUBJECT TO CHANGE WITHOUT NOTICE.  
USE INSTALLATION INSTRUCTIONS SUPPLIED WITH PRODUCT.**

Jacuzzi Whirlpool Bath has obtained applicable code (standards) listings generally available on a national basis for products of this type. It is the responsibility of the installer/owner to determine specific local code compliance prior to installation of the product.

Jacuzzi Whirlpool Bath makes no representation or warranty regarding, and will not be responsible for any code compliance.

---

**Jacuzzi Whirlpool Bath**  
14801 Quorum Dr., Suite 400  
Dallas, TX 75254  
**Service Support:** Call 1-800-288-4002



Printed on Recycled Paper

Printed in U.S.A.

# Jacuzzi Whirlpool Bath Limited Warranty Designer Collection Product

## WARRANTY COVERAGE

Jacuzzi Whirlpool Bath (the "Company") offers the following express limited warranty to the original purchaser of any Jacuzzi Whirlpool Bath Designer Collection Bath Product ("unit") who purchases the product for personal or single family use ("user"). The Company will repair or replace, at its option, the unit or its equipment in accordance with the following terms and conditions.

## ONE YEAR LIMITED WARRANTY ON TOWEL WARMING DRAWER

Our limited warranty on Designer Collection Bath products is for one (1) year. Our warranty covers the unit and factory-installed components against defects in material or workmanship. Warranty coverage begins on the date the unit was originally purchased by the user.

## WARRANTY LIMITATIONS

Our limited warranty does not cover defects, damage, or failure caused by the common carrier, installer, user, or other person, or resulting from, without limitation, any of the following: careless handling (lifting unit by plumbing, abrading finish, etc.); modification of any type for any reason (including modification to meet local codes); improper installation (including installation not in accordance with instructions and specifications provided with the unit); connections supplied by the installer of the equipment; improper voltage supply or unauthorized electrical modification; misuse; incorrect operation, or lack of proper routine maintenance; operation of the unit without specified minimum amount of water or at inappropriate water temperature; use of abrasive or improper cleaners; or acts of God, such as lightning, floods, earthquakes, etc.

In addition, THE COMPANY WILL NOT BE RESPONSIBLE FOR INCIDENTAL OR CONSEQUENTIAL DAMAGES or losses arising from any cause (e.g., water damage to carpet, ceiling, loss of use, etc.) including its own negligence; damages to, respecting, or resulting from: plated parts when pool and/or spa chemicals are used in the unit; optional bath equipment not manufactured by the Company but supplied by Dealer, installer or the Company; the unit's prior usage as an operational display; or defects that should have been discovered before installation. This limited warranty does not include: labor, transportation, or other costs incurred in the removal and/or reinstallation of the original unit and/or installation of a replacement unit; any costs relating to obtaining access for repair; or loss of use damage, including loss of sales, profit or business advantage of any kind under any circumstances. Bath units are excluded from any warranty coverage if any addition, deletion, or modification of any kind whatsoever has been made to the unit (or to any component).

Warranty coverage is provided in the United States of America and Canada.

## EXCLUSION OF IMPLIED WARRANTIES

IMPLIED WARRANTIES OF MERCHANTABILITY AND FITNESS FOR A PARTICULAR PURPOSE ARE DISCLAIMED ALTOGETHER OR TO THE FULL EXTENT ALLOWED BY LAW.

NOTICE: This warranty gives you specific legal rights, and you may also have other rights which vary from state to state. There are no warranties applicable to Jacuzzi Whirlpool Bath products except as expressly stated herein or as implied by applicable state and federal laws. The Company will not be responsible for any statements or representations made in any form that go beyond, are broader than or are inconsistent with any authorized literature or specifications furnished by the Company.

Some states do not allow limitations on how long an implied warranty lasts, or the exclusion or limitation of incidental or consequential damages, so the above limitations and exclusions may not apply to you.

## RETURN OF WARRANTY CARD

The attached Warranty Registration Card MUST be filled out by the purchaser within thirty (30) days from purchase and mailed to Jacuzzi Whirlpool Bath in order for this warranty to become effective.



Jacuzzi Whirlpool Bath  
14801 Quorum Dr., Suite 400  
Dallas, TX 75254

## RESPONSIBILITIES OF OTHERS

Inspecting the unit prior to installation is the responsibility of the installer or building contractor who acts on behalf of the user. They are responsible for ensuring the unit is free of defect or damage. Notices are placed on and in the unit and on the shipping carton advising the installer of this responsibility. In the event of a problem, the unit must not be installed. The Company is not responsible for failures or damage that could have been discovered, repaired, or avoided by proper inspection and testing prior to installation.

Damage occurring in transit is the responsibility of the carrier. The user or installer MUST open the crate and inspect the unit for damage when it is delivered. If damage is discovered, it must be reported immediately to the seller and the carrier in writing, and an inspection requested. Failure of the carrier to respond should be reported to the seller and the carrier. Your freight claims should be filed promptly thereafter.

It is the responsibility of the installer, building contractor, or user to provide access for service. The Company is not responsible for any costs relating to obtaining access for repair. The user shall bear such costs and, if appropriate, must seek recovery from the installer.

Damage occurring to the unit during installation is the responsibility of the installer and/or building contractor and damage occurring thereafter is the responsibility of the user.

Failure of any optional equipment is the sole responsibility of the equipment manufacturer. (Options and accessories manufactured by the Company are warranted for ninety (90) days from the original date of purchase for parts only.)

The Distributor or Dealer is responsible for knowing local code requirements and notifying the installing contractor and/or user of these requirements at the time of purchase. The Company is not responsible for costs to modify any product to obtain any code approval, such as city, county, or state building codes in U.S.A. or municipal or provincial codes in Canada.

## WARRANTY SERVICE

For the customer's benefit, the Company maintains a list of independent service personnel to perform required warranty service repairs. Such firms are not agents or representatives of the Company and cannot bind the Company by words or conduct.

The Company will provide the warranty service described above when the following conditions have been met: the failure is of the nature or type covered by the warranty; the user has informed an Authorized Jacuzzi Whirlpool Bath Service Agent or Warranty Service Department Representative of the nature of the problem during the warranty period; conclusive evidence (e.g., proof of purchase or installation) is provided to the foregoing by the user proving that the failure occurred or was discovered within the warranty period; an authorized independent service person or Company representative has been permitted to inspect the unit during regular business hours within a reasonable time after the problem was reported by the user.

In order to obtain warranty service, consult your local telephone book for the location of the nearest Jacuzzi Whirlpool Bath Authorized Service Agent. Describe the problem and the Authorized Service Agent will inspect the unit and provide the required warranty service.

If you are unable to contact a Jacuzzi Whirlpool Bath Authorized Service Agent, call or write:

Jacuzzi Whirlpool Bath  
Warranty Service Department  
14801 Quorum Dr., Suite 400  
Dallas, Texas 75254  
Call: 1-800-288-4002

To obtain warranty replacement for factory-installed components for Company supplied options and accessories manufactured and supplied by the Company, call or write the above. Provide a description of the problem and proof of purchase. You will be instructed how to obtain replacements and where to return, at your expense, the failed component(s), option(s), or accessory(ies).

All replacement parts, equipment, and repairs shall assume the remaining warranty period of the part(s) replaced.

The Company's warranty obligation shall be discharged upon tender of replacement or repair. The customer's refusal to accept the tender terminates the Company's warranty obligation.

©2006 Jacuzzi Whirlpool Bath FA00000 12/06

Ninety-Day  
Parts Only  
Limited Warranty  
On  
Accessory(ies)



**Warranty  
Registration Card**

This card must be filled out and returned to the address printed on the other side within thirty (30) days from date of purchase in order for this warranty to be come effective.

Purchaser's Name \_\_\_\_\_

Purchaser's Address \_\_\_\_\_

City \_\_\_\_\_ State \_\_\_\_\_ Zip \_\_\_\_\_

Date of Purchase \_\_\_\_\_

Model Name \_\_\_\_\_

Serial Number \_\_\_\_\_

Dealer's Name \_\_\_\_\_

Dealer's Address \_\_\_\_\_

1. How did you first hear about this Jacuzzi® product?
  - Advertisement
  - Article in Magazine/Newspaper
  - Visited Dealer/Plumbing Supplier
  - Yellow Pages
  - Builder/Plumber/Remodeler
  - Decorator/Architect
  - Visited Retailer/Home Center Store
  - Word of Mouth ... Friend/Relative/Acquaintance
  - Other (Please Describe) \_\_\_\_\_
2. Who first gave you specific information about this product (specifications, prices, etc.)?
  - Dealer/Plumbing Supplier
  - Builder
  - Remodeler
  - Plumbing Contractor
  - Retailer/Home Center Store
  - Decorator/Architect
  - Already Installed
3. What was the main reason for purchase?
  - Styling
  - Warranty Service
  - Product Features
  - Brand Name
  - Price
  - Hydrotherapy
  - Home Resale
  - Other \_\_\_\_\_
4. Who finally decided which product you would buy?
  - Self
  - Spouse
  - Self and Spouse Together
  - Other Family Member
  - Designer/Architect
  - Builder/Plumber/Remodeler
  - Already Installed
5. Who installed?
  - Contractor/Plumber when remodeling
  - Self/Spouse when remodeling
  - Other \_\_\_\_\_
6. What is the current market value of this property?
  - Please estimate \$ \_\_\_\_\_
7. What is the age of the head of the household? \_\_\_\_\_ years
8. What other manufacturers did you consider?
  - Eljer
  - Lasco
  - Price Pfister
  - Kohler
  - American Standard
  - Sterling
  - Other (Specify) \_\_\_\_\_
9. How long did you shop before purchasing unit?
  - 1 day
  - 2 months-6 months
  - 2-7 days
  - 6 months-1 year
  - 1 week-2 weeks
  - 1 year-2 years
  - 2 weeks-4 weeks
  - +2 years
  - 1 month-2 months
10. Approximately how long have you lived in this home? \_\_\_\_\_ hold.
  - Up to \$24,999
  - \$50,000 to \$74,999
  - \$25,000 to \$29,999
  - \$75,000 to \$99,999
  - \$30,000 to \$39,999
  - \$100,000 to \$149,999
  - \$40,000 to \$49,999
  - \$150,000 and Above
12. Was your purchase process?
  - Very easy
  - Easy
  - Difficult
  - Very Difficult
13. How technically aware were you of the patented Jacuzzi® jet system prior to your purchase?
  - Not aware
  - Somewhat aware
  - Very aware

Ninety-Day  
Parts Only  
Limited Warranty  
On  
Accessory(ies)