

**Contemporary Gourmet
Double Bowl with Ribbed Area
18 Gauge - Type 304 - Self Rim
Model ILCGR4022 Series**



SPECIFICATIONS

GENERAL

Highest quality. Sink bowls and integral ribbed area seamlessly drawn of #18 gauge, type 304 (18-8) nickel bearing stainless steel. Self-rimming.

DESIGN FEATURES

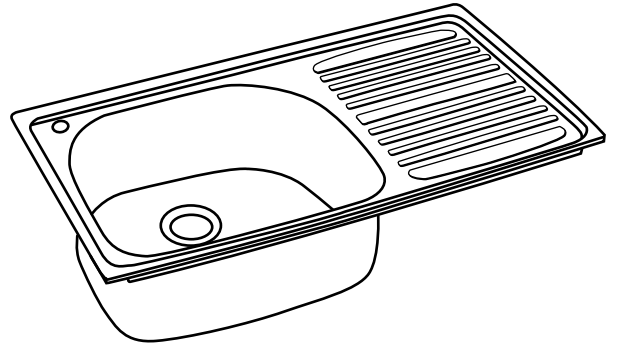
Bowl Depth: 8".
Bowl and Ribbed Area Recessed: 1/2" below outside edge of sink.
Finish: Exposed surfaces are hand blended to a lustrous highlighted Lasting Beauty satin finish.
Underside: Fully protected by heavy duty Sound Guard™ undercoating to prevent condensation and deaden sound.

OTHER

Drain Opening: 3-1/2".
Recommended Minimum Cabinet Size: 30".
These sinks comply with ANSI Standard A112.19.3M.



These sinks are listed by the International Association of Plumbing and Mechanical Officials as meeting the requirements of the Uniform Plumbing Code.

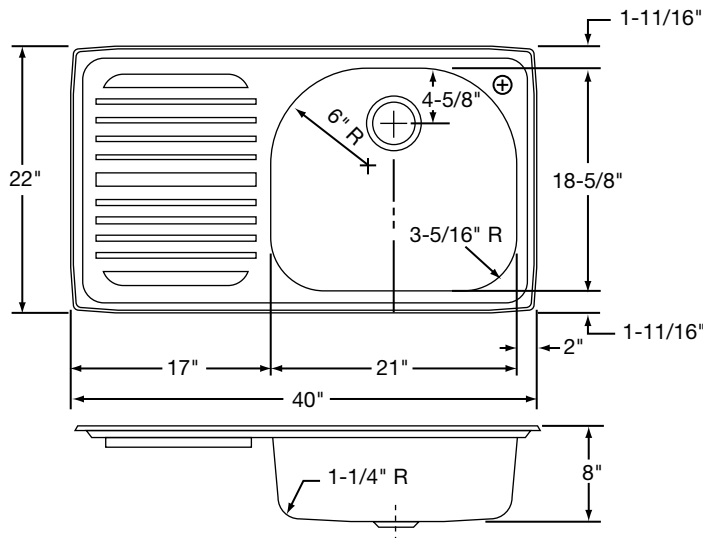


Model ILCGR4022L1

SINK DIMENSIONS (INCHES)*

Model Number	Overall		Inside Each Bowl			Ribbed Area Length	Cutout in Countertop (1 1/2" Radius Corners)		No. of 1 1/2" Dia. Faucet Holes	Ship. Wt. Lbs.
	L	W	L	W	D		L	W		
ILCGR4022L1	40	22	21	18 5/8	8	17	39 3/8	21 3/8	1	32
ILCGR4022LS2	40	22	21	18 5/8	8	17	39 3/8	21 3/8	2	32
ILCGR4022R1	40	22	21	18 5/8	8	17	39 3/8	21 3/8	1	32
ILCGR4022RS2	40	22	21	18 5/8	8	17	39 3/8	21 3/8	2	32

*Length is left to right. Width is front to back.
Suffix "L" (left) or "R" (Right) denotes bowl is left or right of ribbed areas.



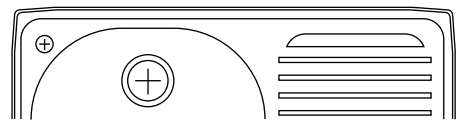
Model ILCGR4022R1 Illustrated

ALL DIMENSIONS IN INCHES, TO CONVERT TO MILLIMETERS MULTIPLY BY 25.4.

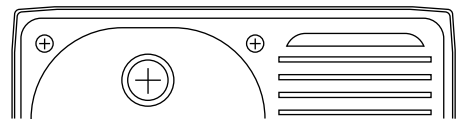
In keeping with our policy of continuing product improvement, Elkay reserves the right to change product specifications without notice.

This specification describes an Elkay product with design, quality and functional benefits to the user. When making a comparison of other producers' offerings, be certain these features are not overlooked.

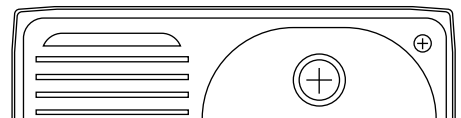
ALL FAUCET HOLES ARE 1-1/2" DIAMETER



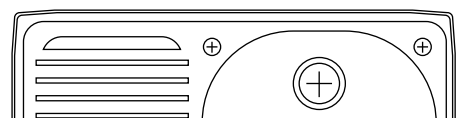
(ONE FAUCET HOLE CONFIGURATION)
MODEL NO. ILCGR4022L1



(SPREAD TWO FAUCET HOLE CONFIGURATION)
MODEL NO. ILCGR4022LS2



(ONE FAUCET HOLE CONFIGURATION)
MODEL NO. ILCGR4022R1



(SPREAD TWO FAUCET HOLE CONFIGURATION)
MODEL NO. ILCGR4022RS2