

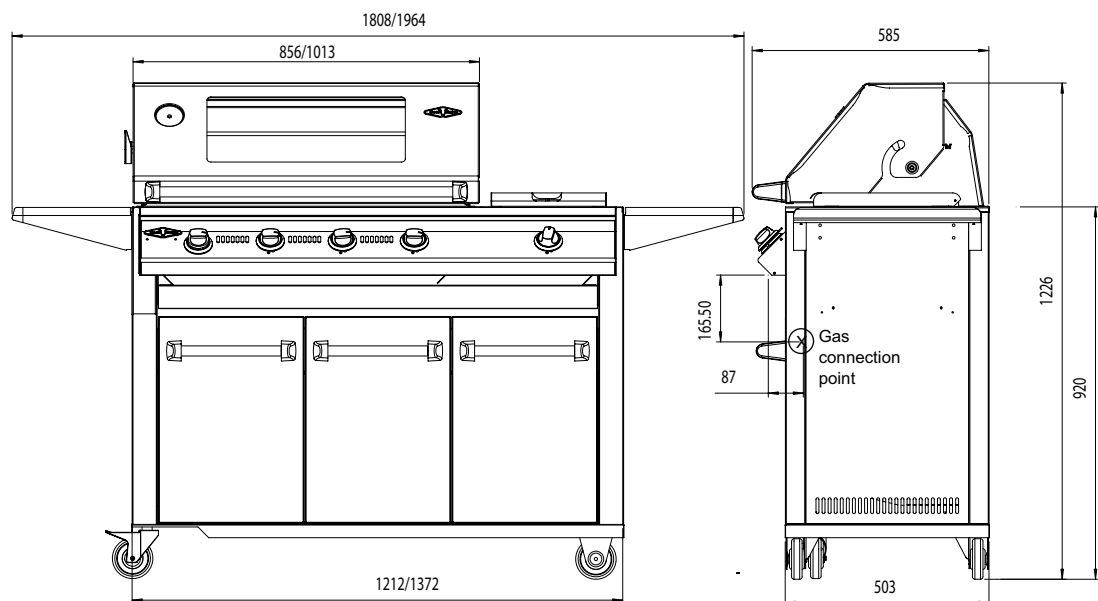


Trouble Shooting Guide

Problem	Cause	Check
Barbecue will not light	Ignition system not working	Check that there is a visible flame coming from the pilot ignition tube. Check that the pilot ignition tube is not blocked by spider webs or insect nests.
	Turning on gas control too quickly	Allow 5 seconds for gas to flow through burner before ignition
	No gas flow	Check that valve on gas cylinder is turned on. Check that burner ports are free of obstructions Check that all gas injectors are clean and free of obstructions
	Burners not assembled correctly	Check that burners are correctly positioned in the barbecue frame.
	Burner ports or throat blocked	Check that the burner ports are not blocked by spider webs or insect nests. Clean out as required
Barbecue lights but goes out soon after starting	Fuel supply turned off	Turn on gas valve at cylinder (LPG/Propane) or shutoff valve on gas line (NG)
	Gas cylinder low or empty	Refill cylinder with gas (LPG/Propane)
	Kink in gas hose	Check that the gas line is not kinked or twisted
	Wind or breeze affecting operation	Ensure that the appliance is located out of the way of wind
Low flame level or low heat output		Check you are running on correct gas (NG or LPG/Propane) Check gas injector size is correct
Stainless steel discolours	Overheating appliance	Do not exceed maximum operating temperatures.

Technical Specifications

Gas	Injector size	Input/burner	Gas Pressure
LPG/Propane	1.27 mm	19 MJ/hr	2.75 kPa / 11" WC
Natural Gas	2.1 mm	19 MJ/hr	1 kPa / 4" WC



All dimensions are in millimetres.
Width dimensions are shown for both 5 burner model or 6 burner models.